

PLE-1SCS Plena Easy Line Heavy Duty Call Station

www.boschsecurity.com



BOSCH
Invented for life



Advantage Line

The Plena tabletop microphone is a heavy-duty, high-quality tabletop unidirectional dynamic microphone, intended for making calls in a public address system. Its heavy metal base and rubber feet ensure stability on any flat surface. The special design also allows the unit to be neatly flush-mounted in desktops.

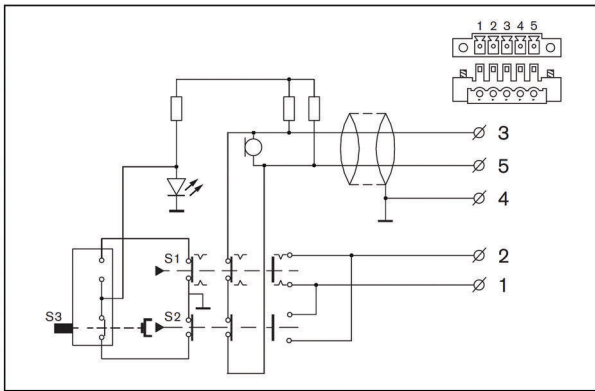
Features

- ▶ Sturdy microphone for demanding applications
- ▶ PTT-key for calls for activation
- ▶ Momentary or toggle
- ▶ Green LED, indicating microphone active
- ▶ Stable metal base design with fixed 2 m (6.56 ft) cable and lockable Euro style connector

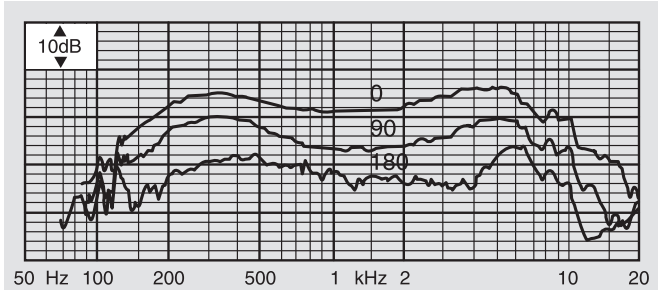
2 | PLE-1SCS Plena Easy Line Heavy Duty Call Station

Technical Specifications

Electrical	
Phantom power supply	
Voltage range	12 to 48 V
Current consumption	<8 mA
Performance	
Polar pattern	Uni-directional
Frequency response	100 Hz to 15 kHz
Sensitivity	1.2 mV/pa +/- 4 dB
Rated output impedance	500 ohm
Maximum input sound level	110 dB SPL
Distortion	<0.6% (maximum input)
Input noise level (equiv.)	25 dB SPLA (S/N 69 dBA ref. 1 Pa)
Mechanical	
Base dimensions (H x W x D)	40 x 100 x 235 mm (1.57 x 3.97 x 9.25 in)
Weight	Approx. 1 kg (2.2 lb)
Color	Charcoal with silver
Stem length with mic.	390 mm (15.35 in)
Cable length	2 m (6.56 ft)
Environmental	
Operating temperature	-10 °C to +55 °C (14 °F to +131 °F)
Storage temperature	-40 °C to +70 °C (-40 °F to +158 °F)
Relative humidity	<95%
Certifications and Approvals	
Region	Certification
Europe	CE
Safety	according to EN 60065
Immunity	according to EN 55103-2
Emission	according to EN 55103-1
Installation/Configuration Notes	



Circuit diagram



Frequency response

Parts Included

Quantity	Component
1	PLE-1SCS Plena Easy Line Heavy Duty Call Station

Ordering Information

PLE-1SCS Plena Easy Line Heavy Duty Call Station	PLE-1SCS Station
--	------------------

Represented by:

Americas:
Bosch Security Systems, Inc.
12000 Portland Avenue South
Burnsville MN 55337, USA
Phone: +1-800-392-3497
Fax: +1-800-955-6831
audiosupport@us.bosch.com
www.boschsecurity.com

Europe, Middle East, Africa:
Bosch Security Systems B.V.
P.O. Box 80002
5617 BA Eindhoven, The Netherlands
Phone: +31 40 2577 284
Fax: +31 40 2577 330
emea.securitysystems@bosch.com
www.boschsecurity.com

Asia-Pacific:
Robert Bosch (SEA) Pte Ltd, Security Systems
11 Bishan Street 21
Singapore 573943
Phone: +65 6571 2808
Fax: +65 6571 2699
apr.securitysystems@bosch.com
www.boschsecurity.asia

China:
Bosch (Shanghai) Security Systems Ltd.
201 Building, No. 333 Fuquan Road
North IBP
Changning District, Shanghai
200335 China
Phone +86 21 22181111
Fax: +86 21 22182398
www.boschsecurity.com.cn

America Latina:
Robert Bosch Ltda Security Systems Division
Via Anhanguera, Km 98
CEP 13065-900
Campinas, Sao Paulo, Brazil
Phone: +55 19 2103 2860
Fax: +55 19 2103 2862
al.securitysystems@bosch.com
www.boschsecurity.com